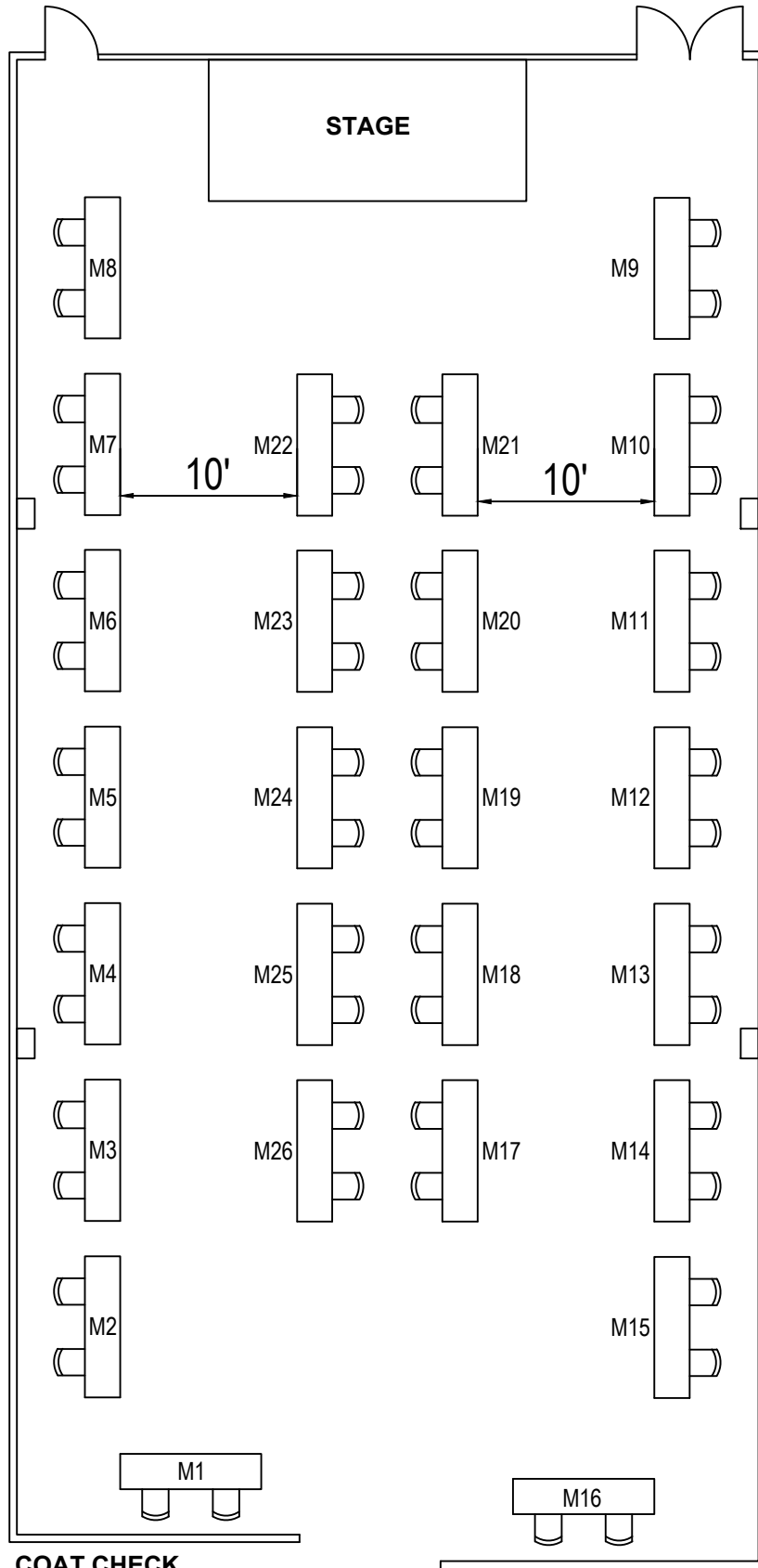


TO FOYER

FIRE EXIT



STAGE

M8

M9

M7

M22

M21

M10

10'

10'

M6

M23

M20

M11

M5

M24

M19

M12

M4

M25

M18

M13

M3

M26

M17

M14

M2

M15

M1

M16

COAT CHECK

CONCESSION

ENTRANCE

FES - FIRE EXTINGUISHER  
PS - FIRE PULL STATION



COPYRIGHT © 2009 GES CANADA.  
 All Rights Reserved. No part of this publication may be reproduced, stored in any retrieval system, or transmitted in any form or by any means - electronic, mechanical, photocopying, recording, or otherwise - without the express written consent of GES CANADA.  
 Every effort has been made to insure the accuracy of all information contained on this floor plan. However, no warranties, either expressed or implied, are made with respect to this floor plan. If the location of building columns, utilities, or other architectural components of the facility is a consideration in the construction or usage of an exhibit, it is the sole responsibility of the exhibitor to physically inspect the facility to verify all dimensions and locations.

Stettler Trade Show

2019

The Hub

Confidential Property Of GES CANADA  
 File: Stettler Trade The Hub.dwg  
 Layout: GUIDE P  
 Plotted: November 29, 2018, 3:49:36 PM  
 By: Potratz, Haley