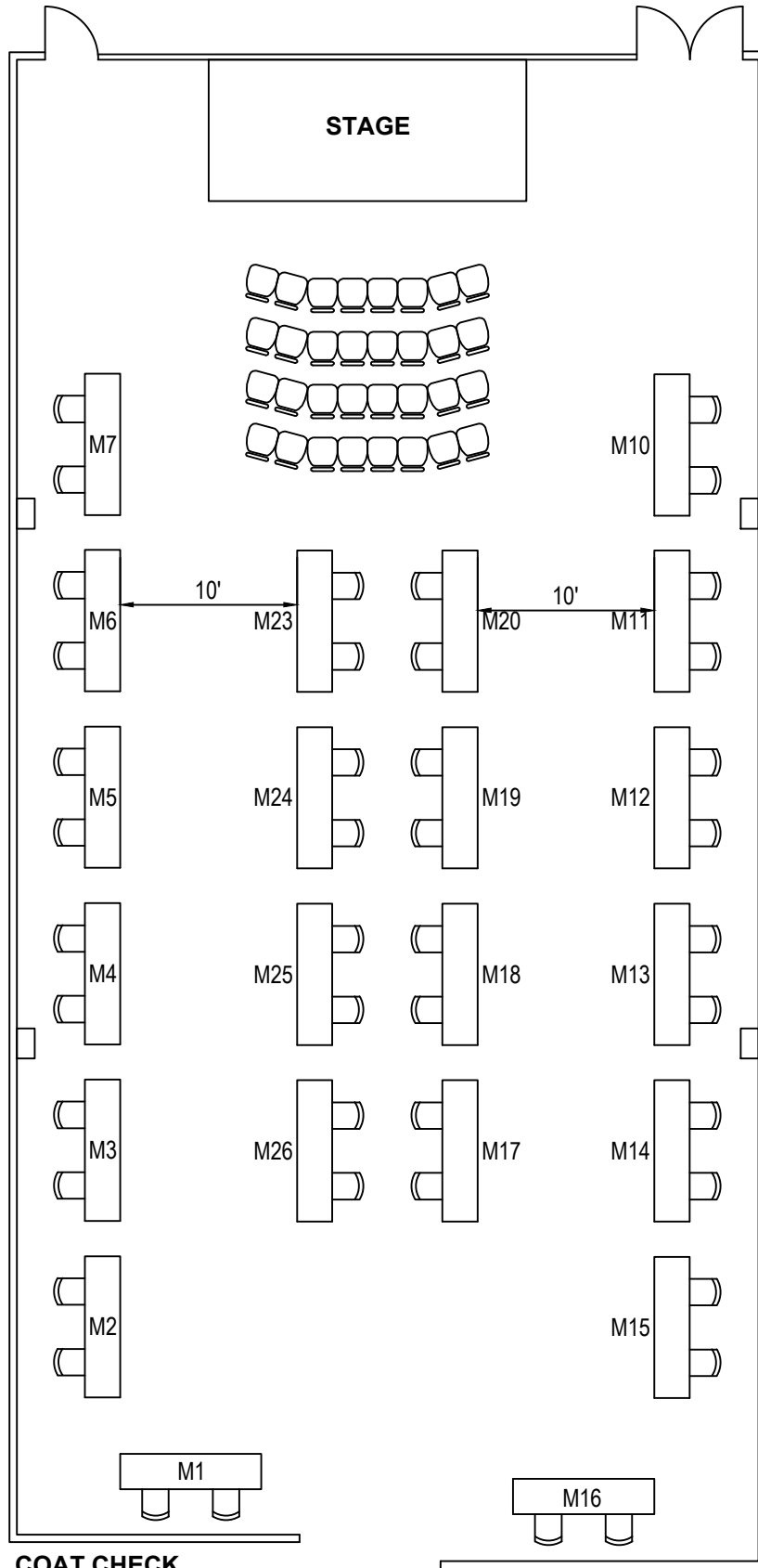


TO FOYER

FIRE EXIT



STAGE

M7

M6

M5

M4

M3

M2

M1

10'

M23

M24

M25

M26

M20

M19

M18

M17

M16

M10

M11

M12

M13

M14

M15

FES - FIRE EXTINGUISHER
PS - FIRE PULL STATION

COAT CHECK

CONCESSION

ENTRANCE



COPYRIGHT © 2009 GES CANADA.

All Rights Reserved. No part of this publication may be reproduced, stored in any retrieval system, or transmitted in any form or by any means - electronic, mechanical, photocopying, recording, or otherwise - without the express written consent of GES CANADA.

Every effort has been made to insure the accuracy of all information contained on this floor plan. However, no warranties, either expressed or implied, are made with respect to this floor plan. If the location of building columns, utilities, or other architectural components of the facility is a consideration in the construction or usage of an exhibit, it is the sole responsibility of the exhibitor to physically inspect the facility to verify all dimensions and locations.

Stettler Trade Show

April 12-14, 2019

Artisan Market

Confidential Property Of GES CANADA

File: Stettler Trade The Hub.dwg

Layout: GUIDE P

Plotted: March 15, 2019, 9:17:12 AM

By: Potratz, Haley